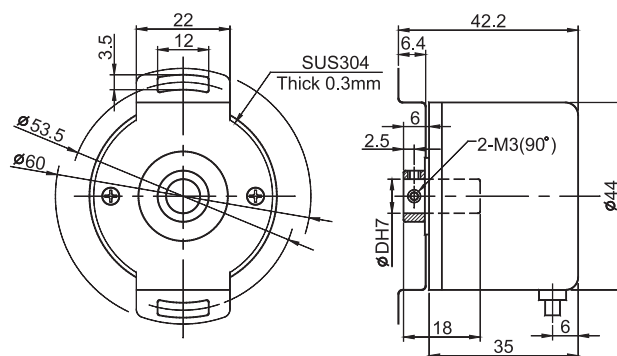


HTR-HB



◀ HOLLOW TYPE ROTARY ENCODER ▶

ELECTRICAL SPEC.

Detection System	Incremental 增量型
Output Wave 輸出波形	Square Wave 方波
Standard Number of Pulse Per Revolution 解析	10, 20, 30, 40, 50, 60, 80, 100, 120, 125, 150, 180, 200, 250, 300, 360, 400, 500, 512, 600, 720, 800, 1000, 1024, 1200, 1500, 1800, 2000, 2048
Output Phase 輸出相	AB phase or ABZ phase
Electronics 電路特性	Voltage 電壓型, Open Collector 電流型, Push Pull 推挽式 or Line Driver 差動式
Power Supply 供應電源	DC 8~26V, DC 5V fixed
Current Consumption 消耗電流	≤ 60 mA
Output Capacity 輸出容量	Sync. Current: 20 mA, Residual Voltage: 0.5V or less
Max. Response 最大響應頻率	10K Hz ~ 100K Hz
Phase Different 相位差	A, B phase different $90^\circ \pm 45^\circ$ (T/4 \pm T/8), Z phase T \pm T/2
Wave Form Rise / Fall 波形上下時間	2 μ s or less

MECHANICAL SPEC.

Hollow Shaft Diameter 孔徑	5, 6, 6.35, 8, 9.525, 10 mm
Shaft Loading 軸荷重	(10~400 PPR)Axial 軸向: 1 Kg, Radial 徑向: 2 Kg (over 400 PPR)Axial 軸向: 0.5 Kg, Radial 徑向: 1 Kg
Starting Torque (at 25°) 起動轉矩	30 gf-cm or less
Max. Speed 最大機械容許速度	6,000 rpm
Vibration 震動	10g (10 \pm 1,500 Hz)
Polarity 極性保護	Against Reverse Protection (not with 5V)
Shock 衝擊	20g per 11 ms
Cable 電線	ϕ 4.5, 50 cm long
Weight 重量	≤ 200 g

ENVIRONMENTAL SPEC.

Operating Temp. / Humidity 操作溫度/濕度	0°C ~ 60°C, RH 35% ~ 90% (No Condensation)
Storage Temp. 儲存溫度	-20°C ~ 80°C
Protection 保護等級	IP50: Dust Proof

ORDERING INFORMATION

HTR-HB	Hole Size 中空軸徑	Pulse per Revolution 解析	Output Phase 輸出相	Electronics 電路特性	Supply Voltage 供應電源
	e.g. 5: 5 mm 6: 6 mm	10, 20, 30, 40, 50, 60, 80, 100, 120, 125, 150, 180, 200, 250, 300, 360, 400, 500, 512, 600, 720, 800, 1000, 1024, 1200, 1500, 1800, 2000, 2048 P/R	2: AB phase 3: ABZ phase 3H: AB+Z high phase	Blank: Voltage C: Open-Collector PP: Push-Pull *L: Line Driver 5 Vdc *HL: Line Driver 8~26 Vdc	Blank: 8~26 Vdc 5V: 5 Vdc fixed