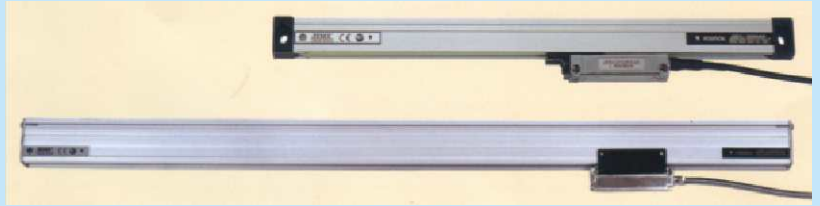
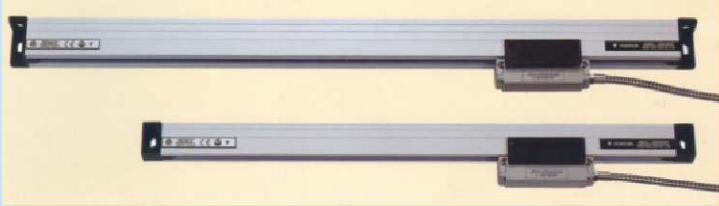


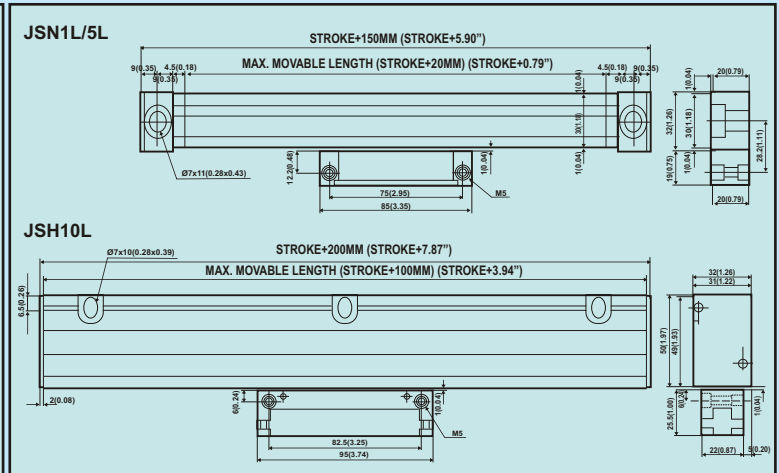
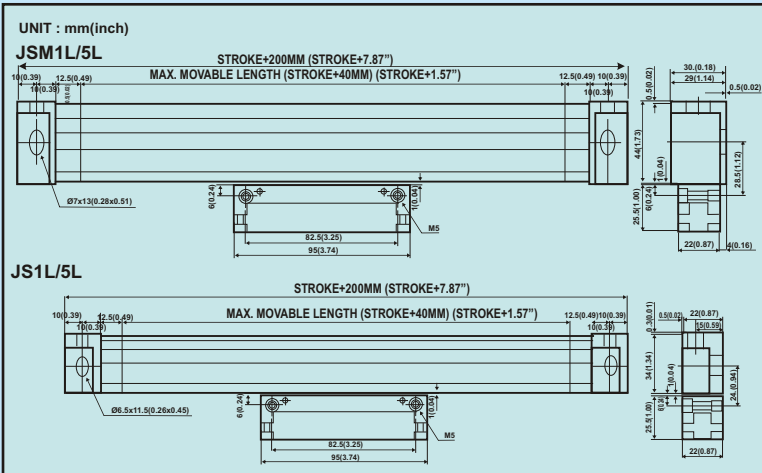
# OPTICAL LINEAR SCALE



## TECHNICAL SPECIFICATIONS

SPEC.	MODEL	JSS, JSM, JSN 1L	JSS, JSM, JSN 5L	JSS, JSM 1LF
Output Signals				
Measurement method		By a 20µm grating pitch (0.0008 inch) chrome-graduated glass scale		
Accuracy		2+2L/1000mm	3+3L/1000mm	2+2L/1000mm
Resolution		1µm(0.00004")	5µm(0.0002")	1µm(0.00004")
Output Pulse		250 pulse / mm	50 pulse / mm	250 pulse / mm
Max. Traversing Speed		36m / min(120ft/min)	60m / min(200ft/min)	36m/min(120ft/min)
Reference Signal		A reference pulse every 25mm(0.98")		
Grating Period		0.02mm(0.0008")		
Max. Vibration		30m/sec <sup>2</sup> (3G)		
Moving Force		≤ 5N		
Working Ambient Temp.		-5°C~45°C (23°F~113°F)		
Storage Temperature		-20°C~70°C (-4°F~128°F)		
Max. Cable length		25m cf Standard 3m (9.84ft)		
Supply Voltage		+5V, ±5%, 150mA		
Protective Design Grade		(1) Equivalent to Ip53,(2) improvement of the protective design grade		

## DIMENSIONS & SCALE SPECIFICATIONS



## SCALE LENGTH FOR EACH MODEL

MODEL	SPECS	Length Range	Remarks
JSN1L/5L		50~500mm (2~20 inch)	*These are recommendations but other size can be possible through discussion. *Every 50mm(2inch) scale can be made within the range of 50~500 mm (2~120inch)
JSS1L/5L		50~1000mm (2~40 inch)	
JSM1L/5L		50~3000mm (2~120 inch)	
JSM10L		1000mm~ (40 inch~)	

### Order Identification

**J S M 1L 1L** 1µm(0.00004")

Jenix Scale **M** Medium, **S** Slim, **N** New Slim **H** Heavy

**5L** 5µm(0.0002") **10L** 10µm(0.0004") **LF** Feed-back

(E) JSS1L: Slim style of Jenix Scale with 1µm(0.00004") of resolution

All products' specs can be changed for quality improvement without prior notice.



## Orbital Systems (Bombay) Pvt. Ltd.

Office: F-129, Ansa Indl. Estate, Saki Vihar Road, Mumbai - 400 072. India.  
 Tel.: 91-22-2847 3312 / 1274 / 6915 Fax : 91-22-2847 6675  
 E-mail: orbital@vsnl.net ♦ orbital@mtnl.net.in Website: www.orbitalsystems.net

