

# Portable Hydraulic Riveting Machine



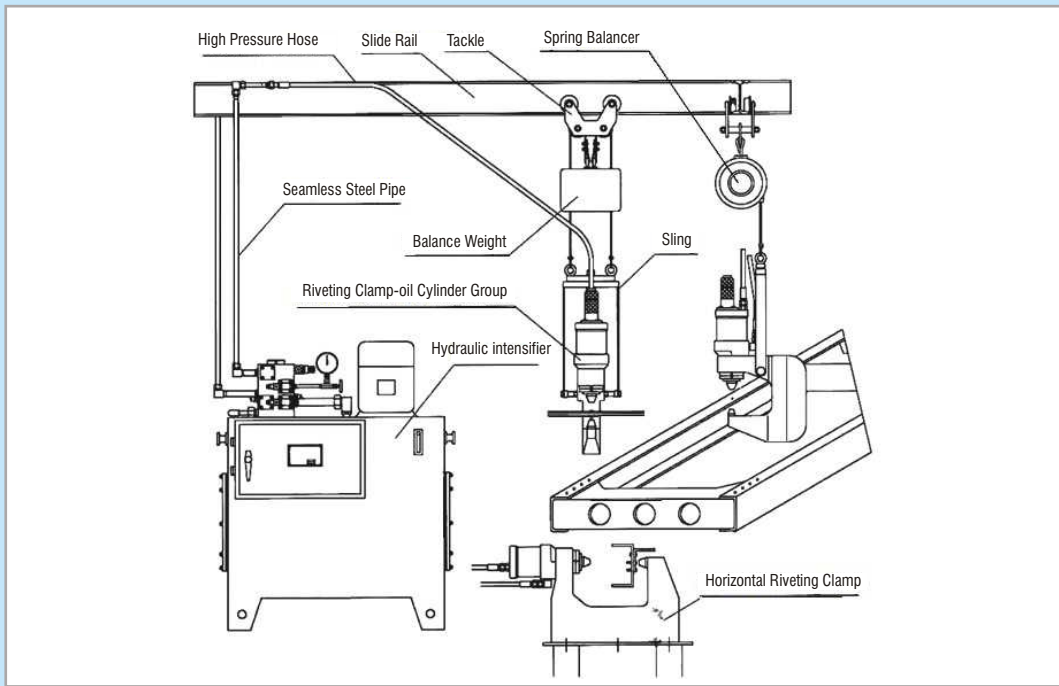
The Portable hydraulic riveting machine is mainly used in all kinds of industry for riveting & pressing etc. Applications - Automobiles & Automobile component manufacturers.

The Portable hydraulic riveting machine consists of Hydraulic intensifier, Riveting clamp mechanism, sling, balancer, high pressure hose ,

It can be placed in any convenient location as close to the work unit as practical. If desired, the intensifier can be mounted overhead.

Special high-pressure hose, furnished with Orbital intensifier for use between the intensifier and the portable unit. Available lengths of 15 feet (Option 20 Feet)

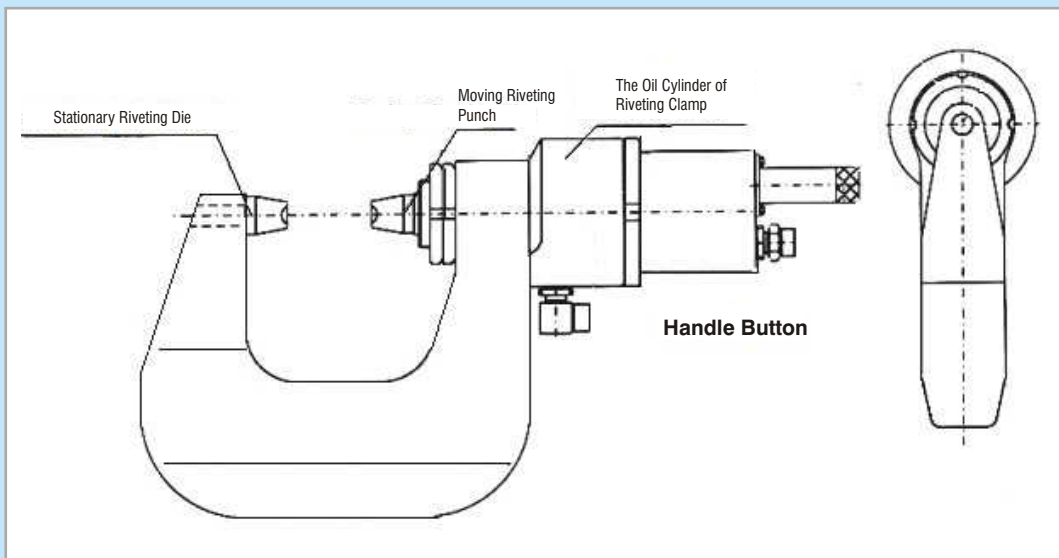
# The Structure Drawing :



## The Riveting Clamp Specification Table

Nominal Riveting Force (Ton)	The Inside diameter of oil cylinder (mm)	Stroke (mm)	The diameter of piston rod (mm)	Riveting die mounting hole (mm)	The neck diameter of oil cylinder (mm)	The length of neck (mm)	The diameter of rivet (mm)	
							cold riveting	hot riveting
30	110	120	50	25	80	155	12	20

## Riveting Clamp Mechanism



## Orbital Systems (Bombay) Pvt. Ltd.

Office: F-129, Ansa Indl. Estate, Saki Vihar Road, Mumbai - 400 072. India.  
 Tel.: 91-22-4208 1403 / 2847 3312 / 1274 Fax: 91-22-2847 6675  
 E-mail: sales@orbitalsystems.net • orbitalsys@gmail.com  
 Website: www.orbitalsystems.net